

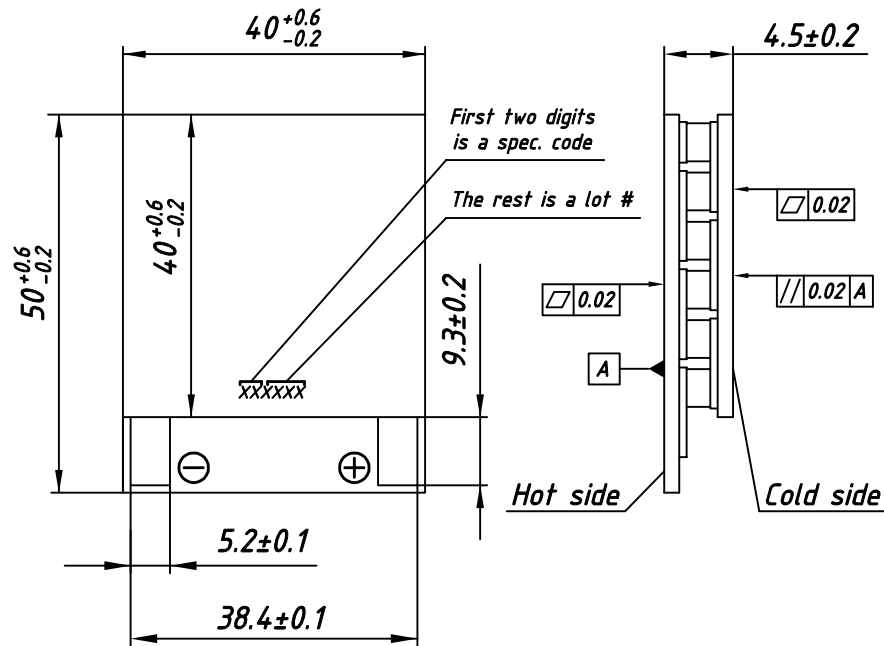
**TECHNICAL DATA**

$U_{max}$	2.0 V	$T_{hot}=25^{\circ}C$ Dry air
$Q_{max}$	82.7 W	
$\Delta T_{max}$	68°	
$I_{max}$	65.2 A	
ACR at 25°C	0.028 Ohm	
Hot side	Ceramics $Al_2O_3$ , white 96%	
Cold side		
Max. processing temperature	Depends on chosen solder type	
Standard tolerances for thermal and electrical parameters $\pm 10\%$		

**STANDARD ORDERING OPTIONS**

Nº	Option	Parameter
1	Lead wires	Under customer request
2	Lead wires length	L - under customer request
3	Lead wires insulation	Type / Max. processing temp.
		Without insulation / See solder type m.p.t
		PVC / 105° C
		Silicone / 180° C
4	Internal solder	Type / Max. processing temp.
		Type-1 / 138° C
		Type-2 / 227° C
		Type-3 / 232° C
5	Anticorrosional coating	yes
		no
6	Sealing	Type / Max. processing temp.
		Without sealing / 200° C
		Epoxy / 130° C
		Silicone / 180° C

**MODULE DRAWING**  
standard design



**AVAILABLE MODIFICATIONS**

Design	Description
TM-18-5.0-60.0 M	Porch-style design with high reliable version on cold side

**OPTIONS UPON REQUEST**

Height tolerance	$\pm 0.02$
Unflatness and nonparallelism	$\pm 0.02$

- Solder type marked \* is not compliant to RoHS (2002/95/EC)
- For another options consult of our technical support engineers